

## Features & Options

- LCD with User Selectable °C or °F Display
- 2% RH Accuracy
- User Adjustable Toggle Rate Between Temperature and Humidity
- Full-range Temperature Compensation of RH Signal
- Onboard Neuron® 3120® Chip
- Optional Setpoint Adjustment and Occupancy Override
- Standard 4-Wire Termination
- Two Year Warranty



**L-Combo Unit with Setpoint & Override**

The Echelon compatible “L-Combo” Room Unit features measurement and display of local temperature and relative humidity, as well as display of outdoor temperature and outdoor humidity – all in one aesthetically-pleasing package. Additional options include Temperature Setpoint, Humidity Setpoint and Local Override. An onboard Neuron® chip allows connection directly to a LONWORKS® network using star, bus, or loop topology. The LCD can toggle between temperature and humidity at a user adjustable rate, and the user can select °C or °F.

The “L-Temp” and “L-Combo” were designed following the LonMark® Interoperability Guidelines, and incorporates standard configuration property types (SCPT). A complete SNVT/SCPT list with definitions is available upon request. Echelon®, LONWORKS®, Neuron®, and 3120® are trademarks of Echelon Corporation registered in the United States and other countries. LonMark® is a trademark of the LonMark Interoperability Association registered in the United States and other countries.

## Specifications

**Power:** 8 to 24VDC (recommended) or 12 to 28VAC

**Power Consumption:** 35 mA maximum DC

**RH/Temp Sensor Construction:**

Communicating Integrated Circuit

Humidity: Capacitive Polymer, ±2% RH  
(10% to 90%) @25°C, Fully Compensated

Temp: Semi-conductor Band Gap, ±0.3°C @ 25°C

**Optional Direct Temp. Sensor:**

Thermistor, RTD or Semi-conductor

**Wiring:** 4 wire, twisted pair 22 AWG minimum\*

**Communication:**

Neuron® 3120®, 78 kbps using FTT-10A transceiver

**Mounting:**

Standard 2” by 4” J-box or drywall mount - mounting screws provided

\*BAPI recommends that you do not run wiring for the Room Units in the same conduit as line voltage wiring or with wiring used to supply highly inductive loads such as motors, generators and coils. For additional wiring info and requirements, refer to Echelon’s Bulletin titled “Junction Box and Wiring Guidelines for Twisted Pair LONWORKS® Networks” which can be found at the following URL: “[www.echelon.com/support/documentation/Bulletin/005-0023-01K.pdf](http://www.echelon.com/support/documentation/Bulletin/005-0023-01K.pdf)”

**Environmental Specifications:**

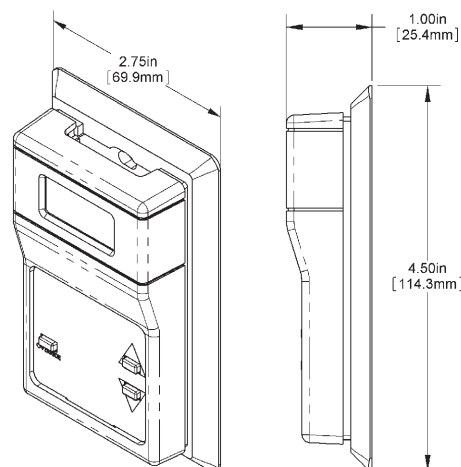
Temperature: 32 to 122°F (0 to 50°C)

Humidity: 0 to 95%, non-condensing

**Enclosure Material:** ABS Plastic

**Material Rating:** UL 94 HB

**Range:** -40°C to 85°C



# Echelon® Compatible “L-Combo”

**B13**

Rev. 08/27/13

**Humidity or Combination Temp/Humidity Sensors**

<b>Ordering Information "L-Temp" &amp; "L-Combo" Room Units</b>			
<b>BA/LC</b>			
	<b>Humidity Accuracy</b>	<b>Skip this number if ordering a temperature only unit</b>	
	<b>H2</b>	±2% RH Accuracy	
		<b>Enclosure</b>	<b>Required selection</b>
		<b>-R</b>	Delta Style Room Enclosure
			<b>Options</b> <b>Select in order as required</b>
		<b>S</b>	Temperature Setpoint (Display is required if Setpoint is selected)
		<b>O</b>	Override
		<b>D</b>	Display
		<b>XLD*</b>	Fan Speed Adjustment and Temperature Setpoint Adjustment. Note: SOD options are not needed if XLD is selected.
			<b>Optional Copla White Enclosure (Warm White is Standard)</b>
		<b>-CPW</b>	Copla White Enclosure Color
<b>EXAMPLE</b>			
<b>BA/LC</b>		<b>-R</b>	<b>SOD</b>
Example Part Number: BA/LC-RSOD - "L-Temp" Unit with setpoint, override and display			
<b>BA/LC</b>	<b>H2</b>	<b>-R</b>	<b>SOD</b>
Example Part Number: BA/LCH2-RSOD - "L-Combo" Unit with ±2% RH, setpoint, override & display			
Your Part Number:			

Call BAPI if you have questions about the above ordering/pricing grid.

\*XLD option is not available with Humidity

\*XLD option includes Setpoint, Override & Display

